

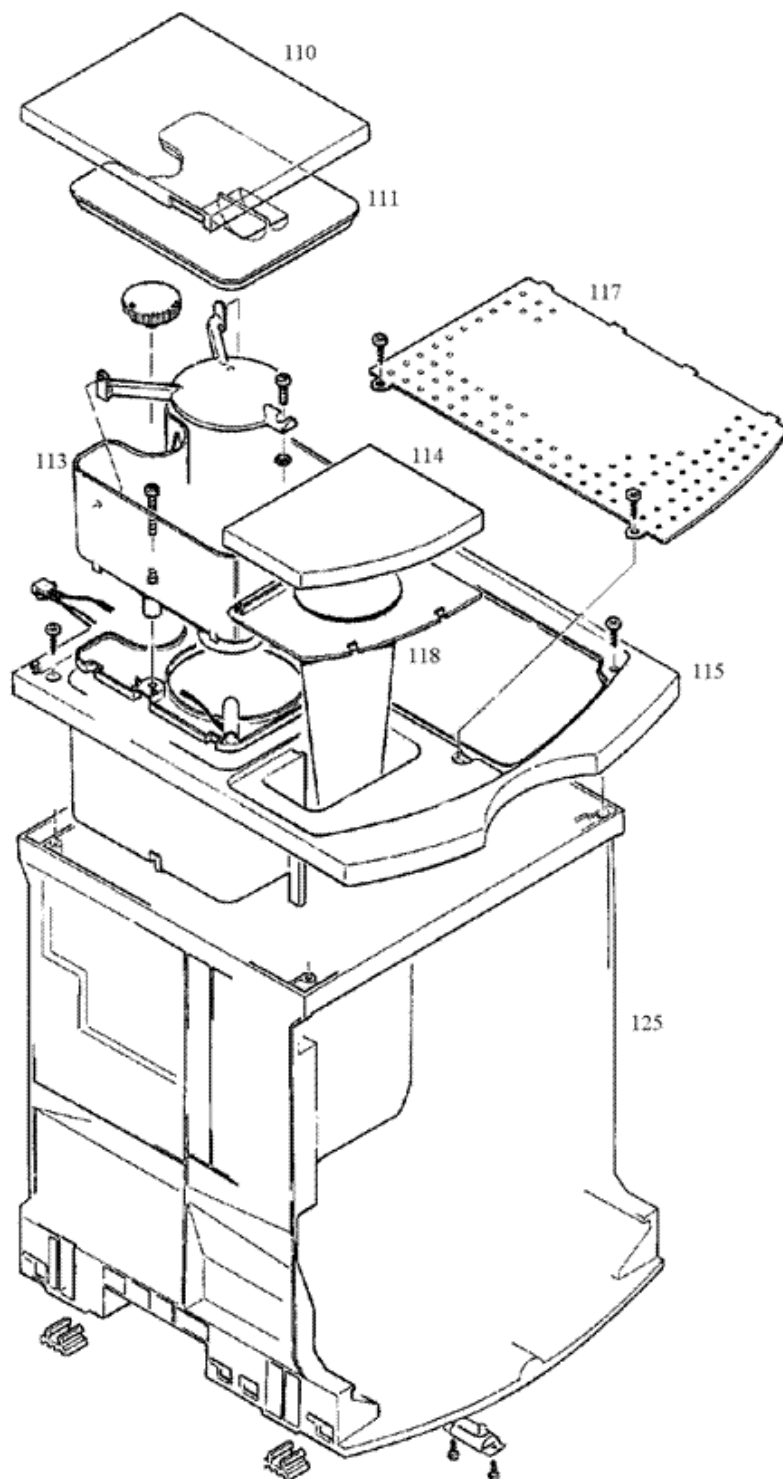
The recycling passport is valid for the following articles:

13207	Imprensa S9 AVG platinum (CH)
13208	Imprensa S9 AVG platinum (EU)
13215	Imprensa S9 AVG platinum (UL/JC)
13224	Imprensa S9 AVG titanium (FUST)
13225	Imprensa S9 AVG titanium (EU)
13257	Imprensa S9 AVG platinum (NL)
13259	Imprensa S9 AVG cappu (EU)
13261	Imprensa 801 black (FUST)
13262	Imprensa S7 AVG black (EU)
13279	Imprensa S9 AVG platinum (AUS)
13285	Imprensa S9 AVG platinum (CCC)
13289	Imprensa S7 AVG black (UL/JC)
13298	Imprensa S9 AVG platinum (UL)

The Variant designations mean:

(1) Case cover

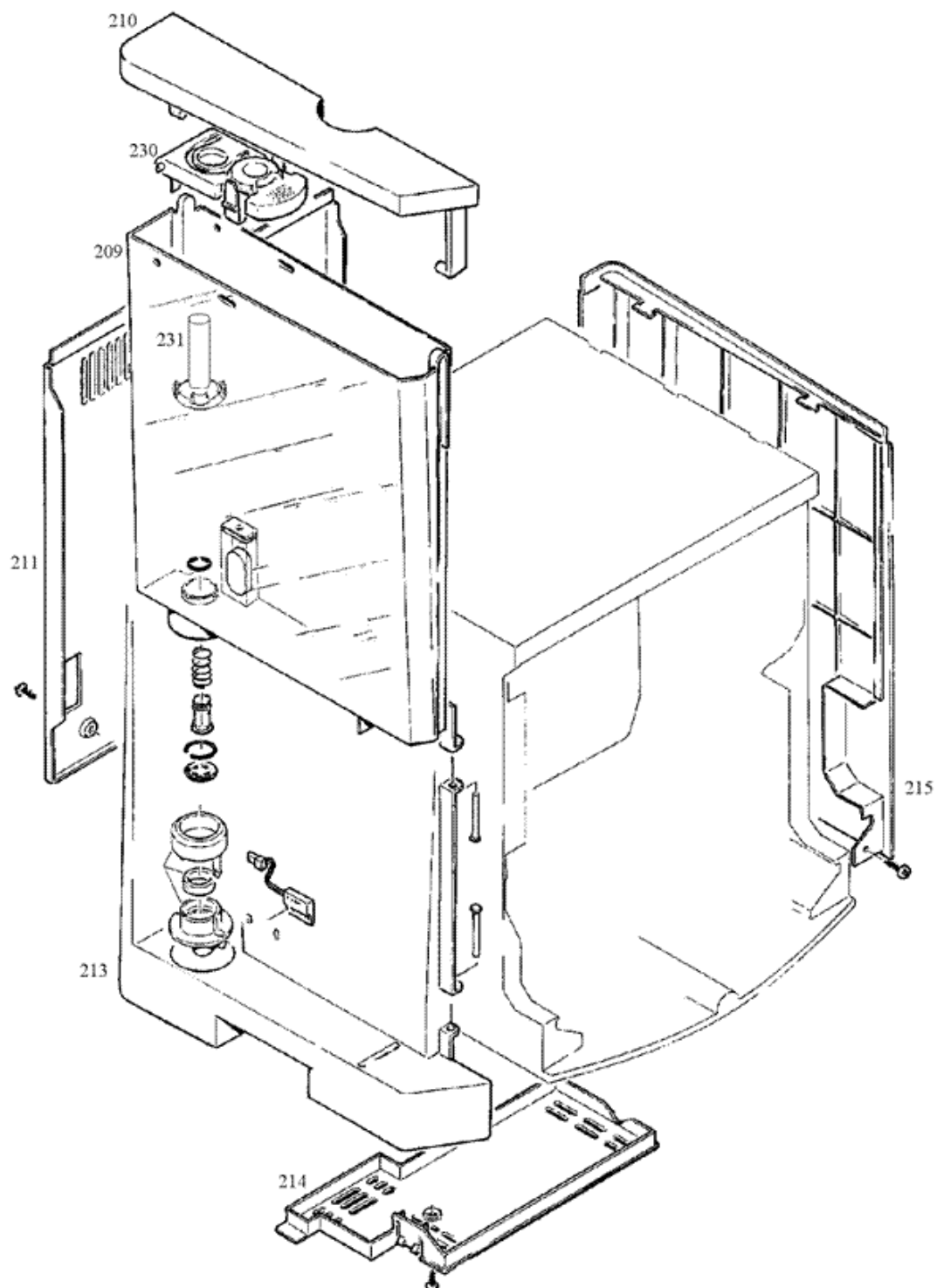
S13207_01



Pos	Designation	Material	Disassembly	Disposal	Variation	Return
0110	Bean container lid	ABS				
0111	Lid to preserve aroma	SAN				
0113	Bean container black	PP / SAN / Messing				
0114	Powder funnel lid black	ABS				
0115	Housing lid complete black	ABS / Messing				
0117	Cup support	High-grade steel				
0118	Powder funnel black	ABS				
0125	Components support S7/S9	ABS				

(2) Case components and water tank

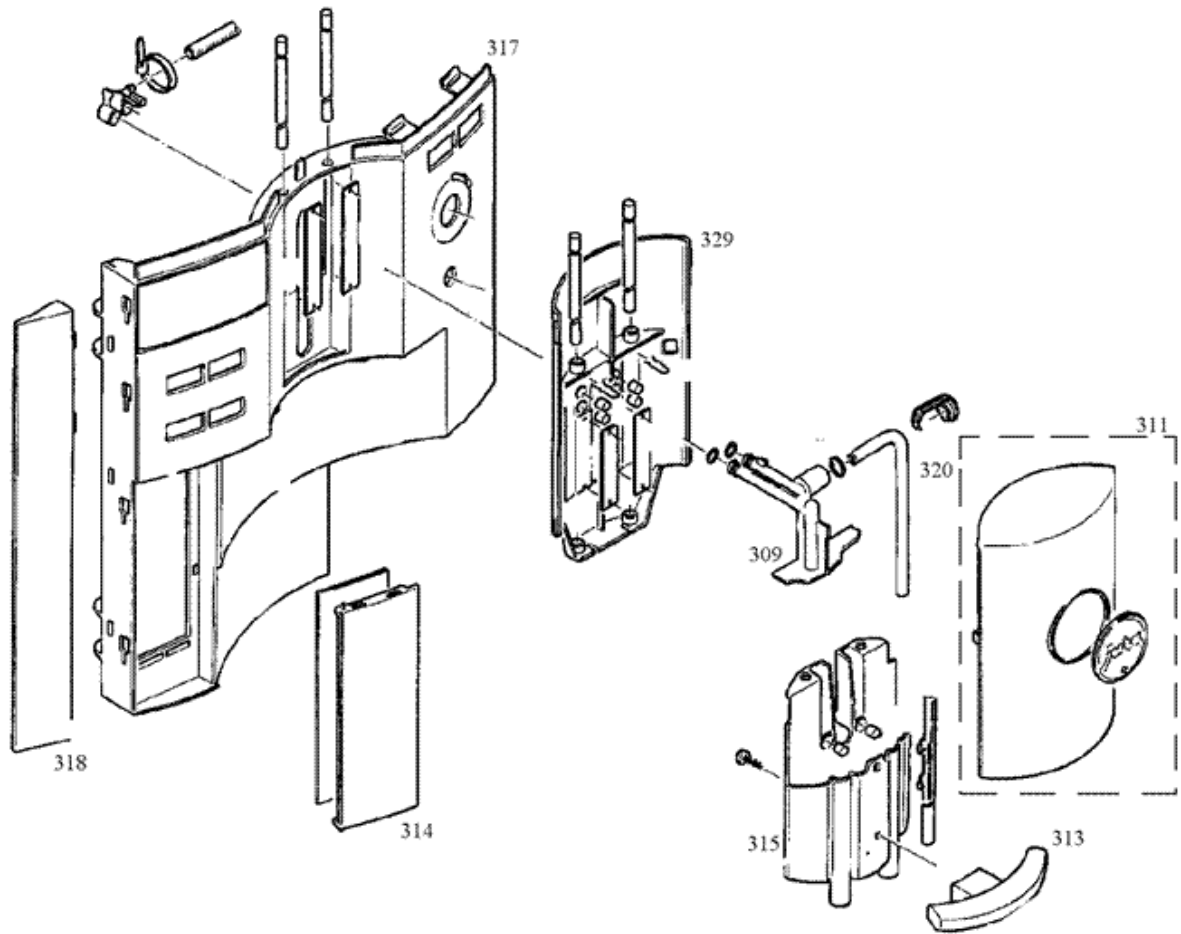
S13207_02



Pos	Designation	Material	Disassembly	Disposal	Variation	Return
0209	Watertank-Kit Impressa	Plastic				
0210	Tank lid black	ABS				
0211	Back black	ABS				
0213	Tank base black	ABS				
0214	Cover cable case	ABS				
0215	Right side section black	ABS				
0230	Bracket s-line	PP / ABS				
0231	Lid with extension	PP				

(3) Front cover

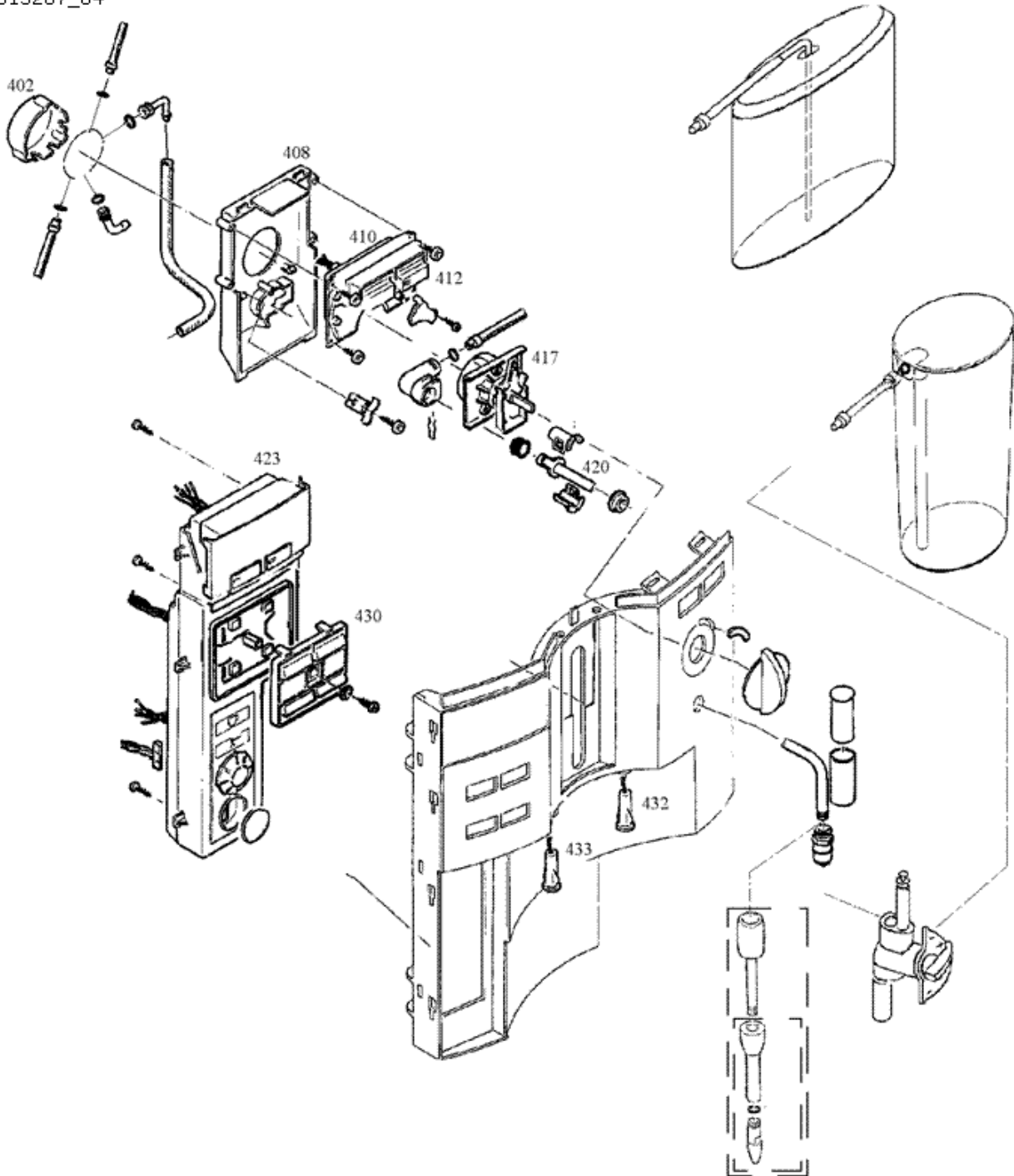
S13207_03



Pos	Designation	Material	Disassembly	Disposal	Variation	Return
0309	Injection piece	PA				
0311	Outlet gate front chromium	ABS / SK				
0313	Handle	ZN				
0314	Hinged cover black	ABS				
0315	Dispenser silver	ABS / Steel				
0317	Front cover black	ABS / Steel				
0318	Cover black	ABS				
0320	Water tube	Steel				
0329	Outlet gate silver	PBT				

(4) Control elements

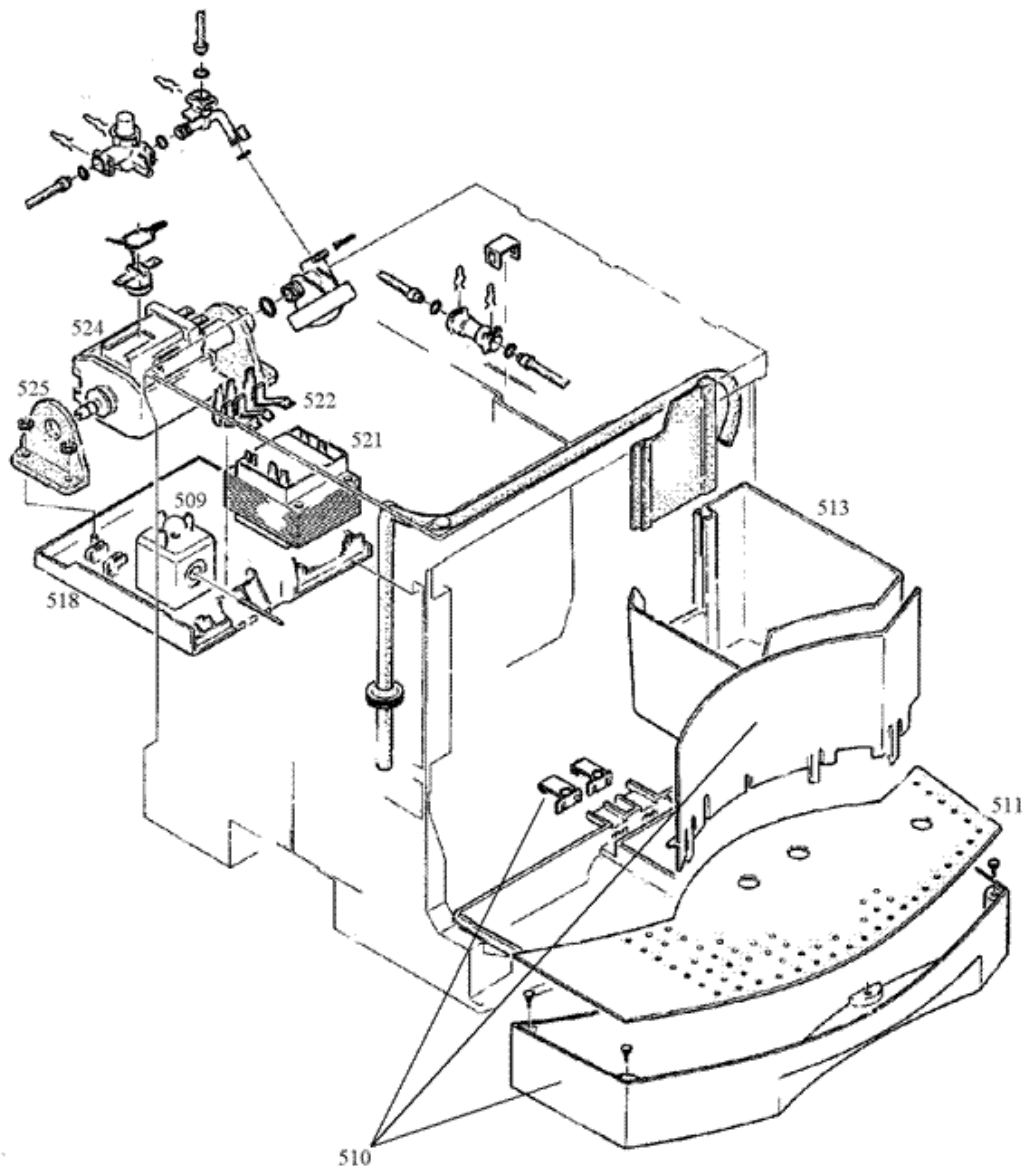
S13207_04



Pos	Designation	Material	Disassembly	Disposal	Variation	Return
0402	Retaining cover	PA				
0408	Ceramic valve cover	ABS				
0410	Steam pcb ass. V3 RoHS	Electronic				
0412	Push button rake steam	ABS / PC				
0417	Ceramic valve USA assembled	Ceramic / PA / PEI / Silicone / Messing / High-grade steel				
0420	Discharge pipe	Steel				
0423	Electronic box SW07 cpl	Electronic				
0430	Push button rake coffee	ABS				
0432	Lamp blue	Electronic				
0433	Lamp grey	Electronic				

(5) Support plate and tray

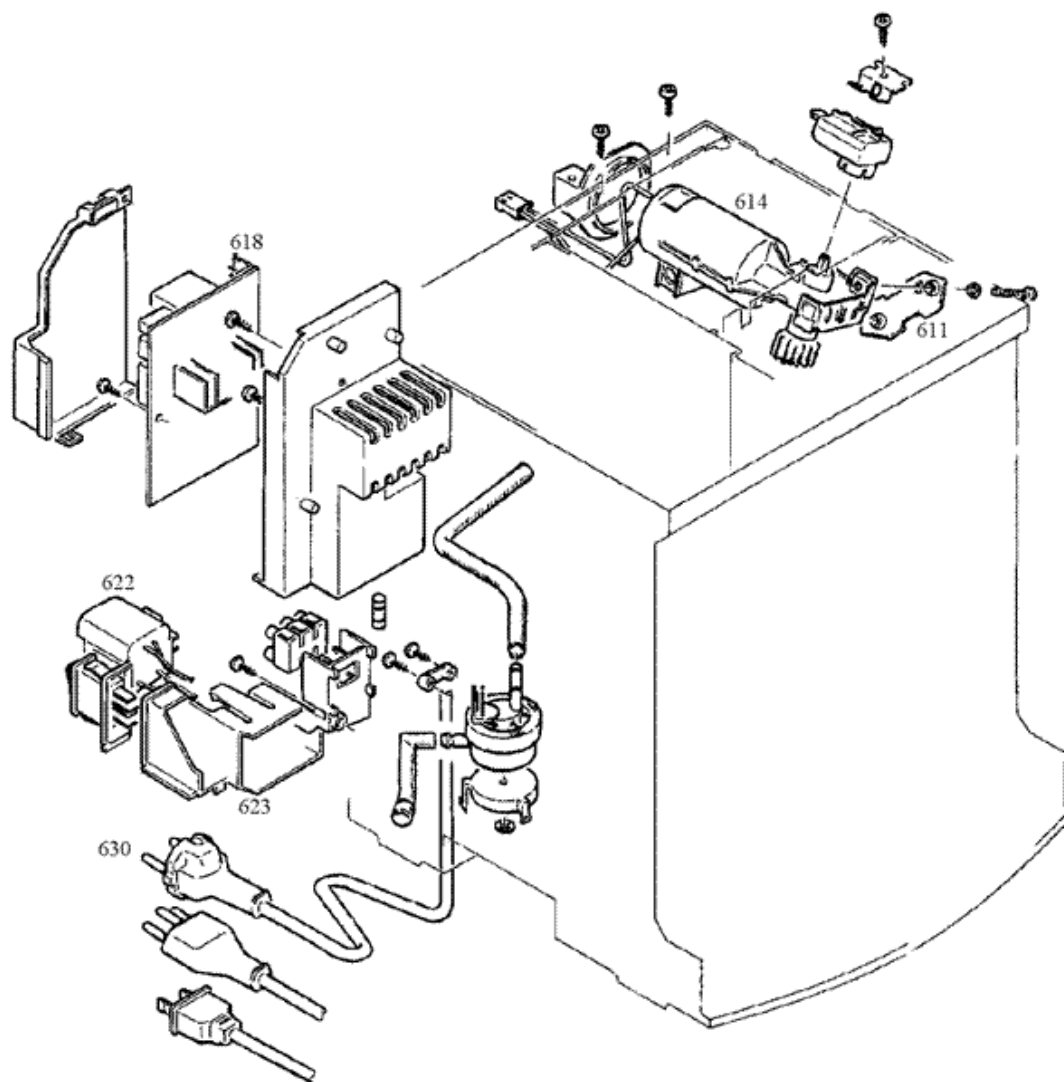
S13207_05



Pos	Designation	Material	Disassembly	Disposal	Variation	Return
0509	Magnet drainage valve IEC 230V	Copper / Steel / Plastic			X	
0509	Magnet drainage valve IEC 120V	Copper / Steel / Plastic			X	
0510	Drain pan complete black	AL / Steel / TPE				
0511	cup platform inox	Steel				
0513	Used ground container complete	PP / NBR				
0518	Pump carrier plate	PP				
0521	Transformer 120V UL	Electro			X	
0521	Transformer 230V	Electro			X	
0522	Detection spring	BR				
0524	Pump 230V/50Hz/60W	Electro			X	
0524	Pump cp3a 120v/60hz	Electro			X	
0525	Pump carrier version 2	Gum				

(6) Printed power circuit board and drive

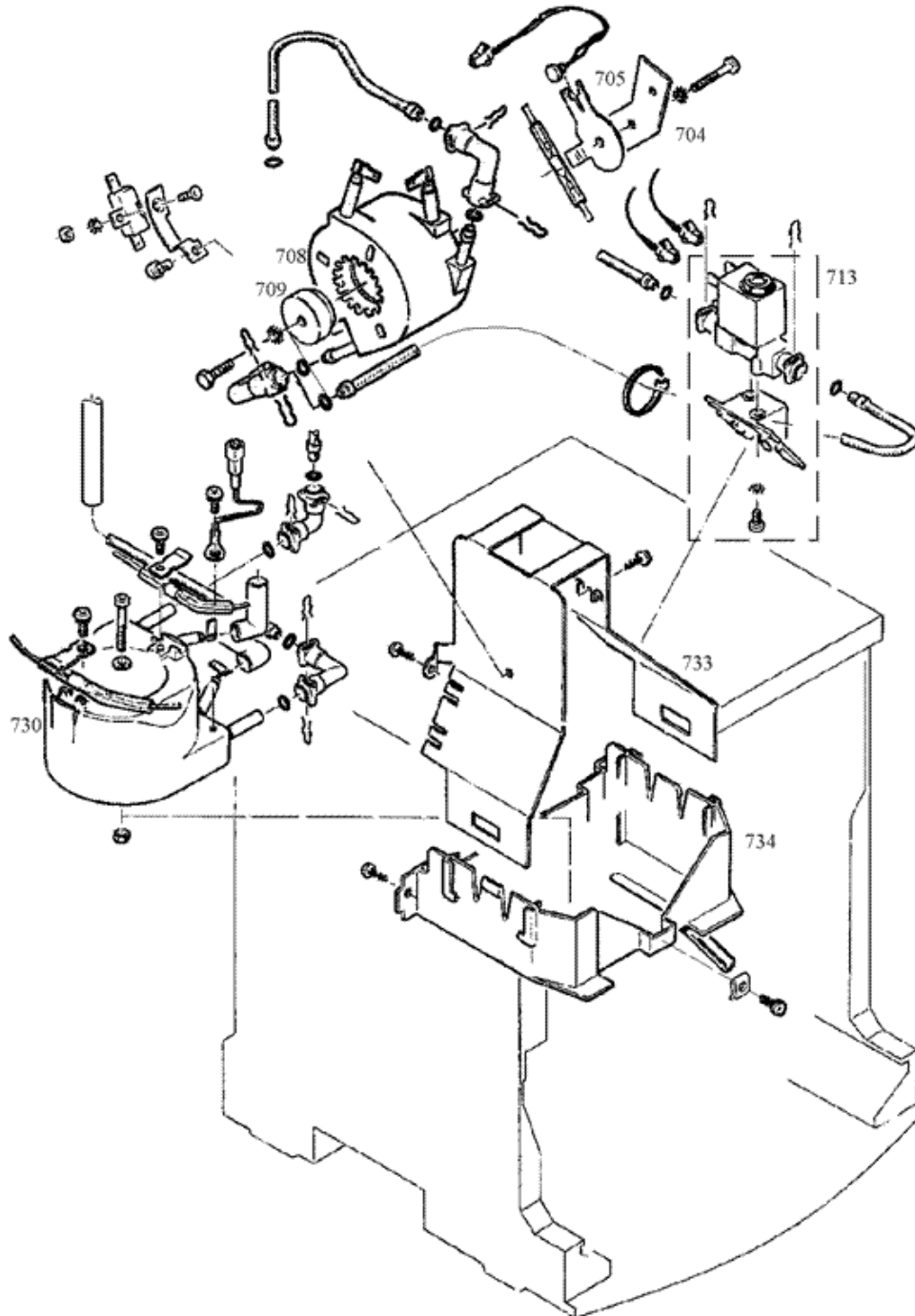
S13207_06



Pos	Designation	Material	Disassembly	Disposal	Variation	Return
0611	Clamp	ZN				
0614	Geared motor 6000 ass. RoHS	Electro / Messing / POM				
0618	Power pcb	Electronic				
0622	Interference eliminator	Electro				
0623	Support filter black	PA				
0630	Incoming feeder sw RoHS	Copper / Gum				

(7) Heater

S13207_07

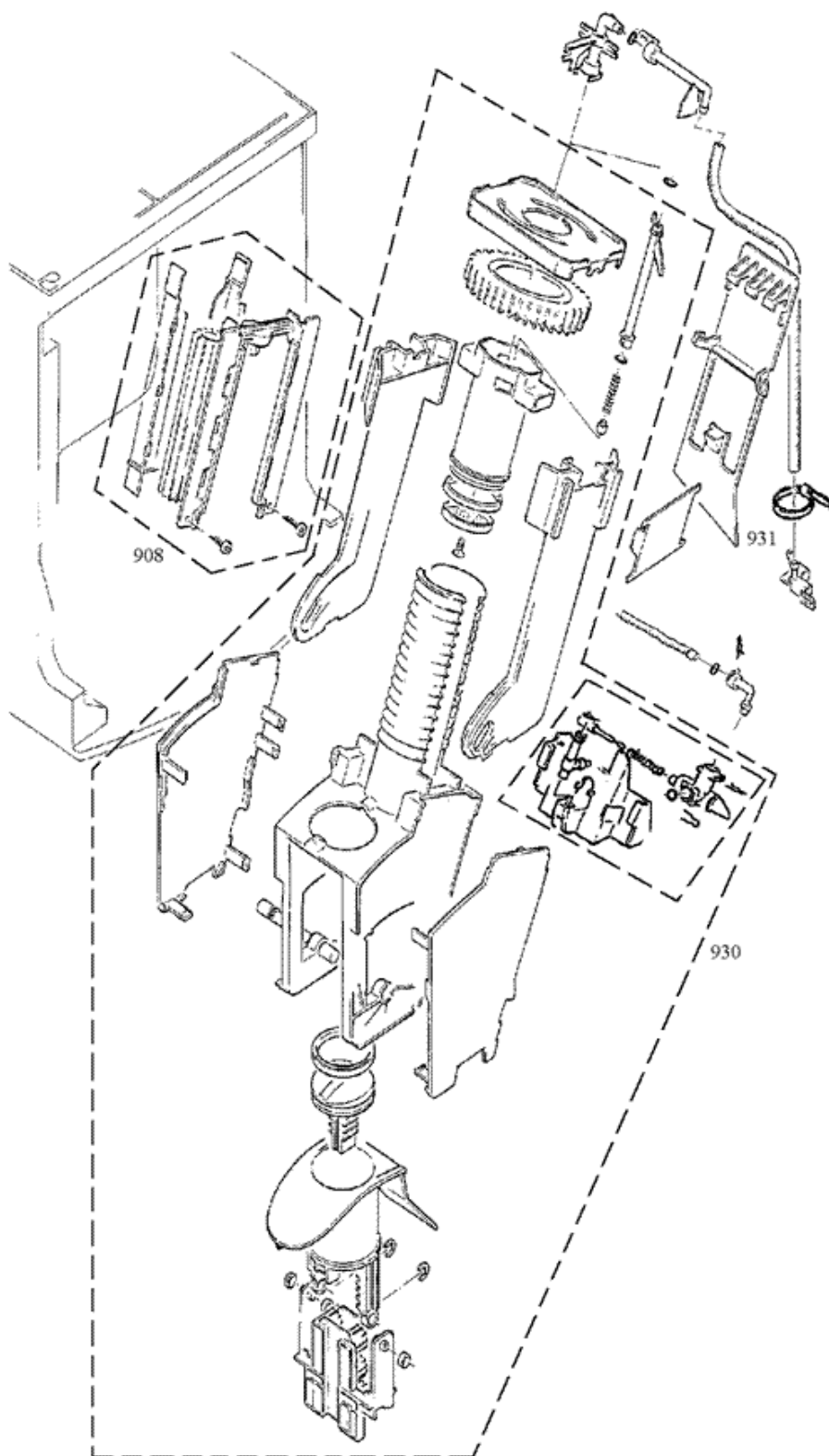


Pos	Designation	Material	Disassembly	Disposal	Variation	Return
0704	Spacer	Steel				
0705	Clamp to thermoblock head	Steel				
0708	T-Block 2000/L 230V/1200W	AL / Silicone / Steel			x	
0708	T-Block 2000/L 120V/1200W	AL / Silicone / Steel			x	
0709	Support aluminium	AL				
0713	Valve kit 230V RoHS	Copper / Steel / PA			x	
0713	Valve 120V cpl. RoHS	Electro			x	
0730	Thermoblock 2001 120V/1200W	AL / Steel			x	
0730	Thermoblock 2001 230V/1200W	AL / Steel			x	
0733	Heating support	Steel				
0734	Heating support V2	PA				

Pos	Designation	Material	Disassembly	Disposal	Variation	Return
0810	Grinder unit Domel 230V V2	Electro / POM / PA / NBR / Steel / Messing			X	
0810	Grinder unit 120V V6	Electro / POM / PA / ABS / Steel			X	

(9) Brew unit

S13207_09



Pos	Designation	Material	Disassembly	Disposal	Variation	Return
0908	Guide 107mm	AL / POM				
0930	Brew unit universal	POM / PA / Steel				
0931	Used ground blade	POM				