

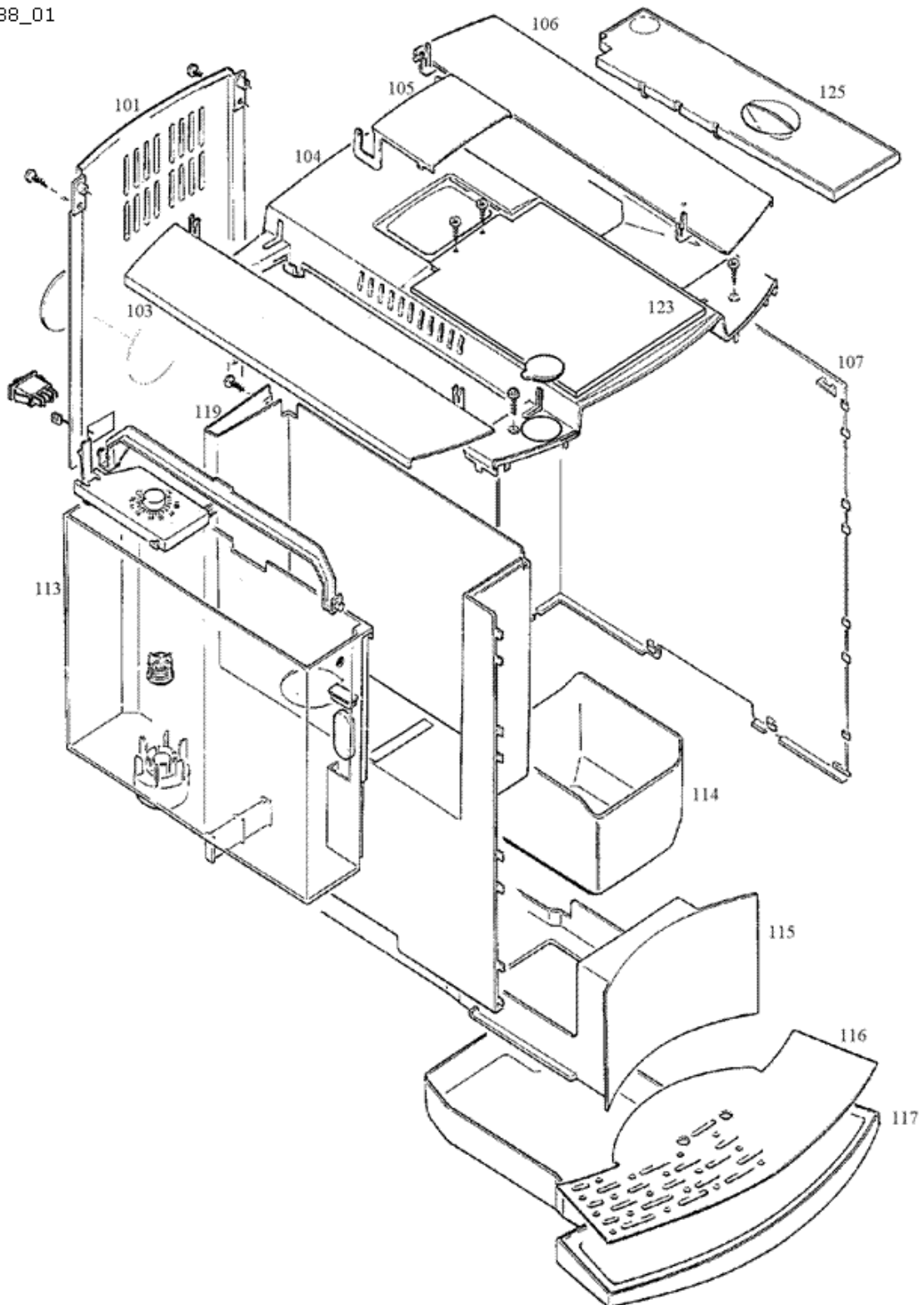
The recycling passport is valid for the following articles:

S13227	Impresa E25 platinum (EU)
S13228	Impresa E10 black (EU)
S13234	Impresa E25 platinum (CH)
S13238	Impresa E10 black (CH)
S13971	Impresa E20 black (EU)
S13972	Impresa E25 platinum (CH)
S13973	Impresa E25 platinum (EU)
S13974	Impresa E10 black (CH)
S13975	Impresa E10 black (EU)

The Variant designations mean:

(1) Case components and water tank

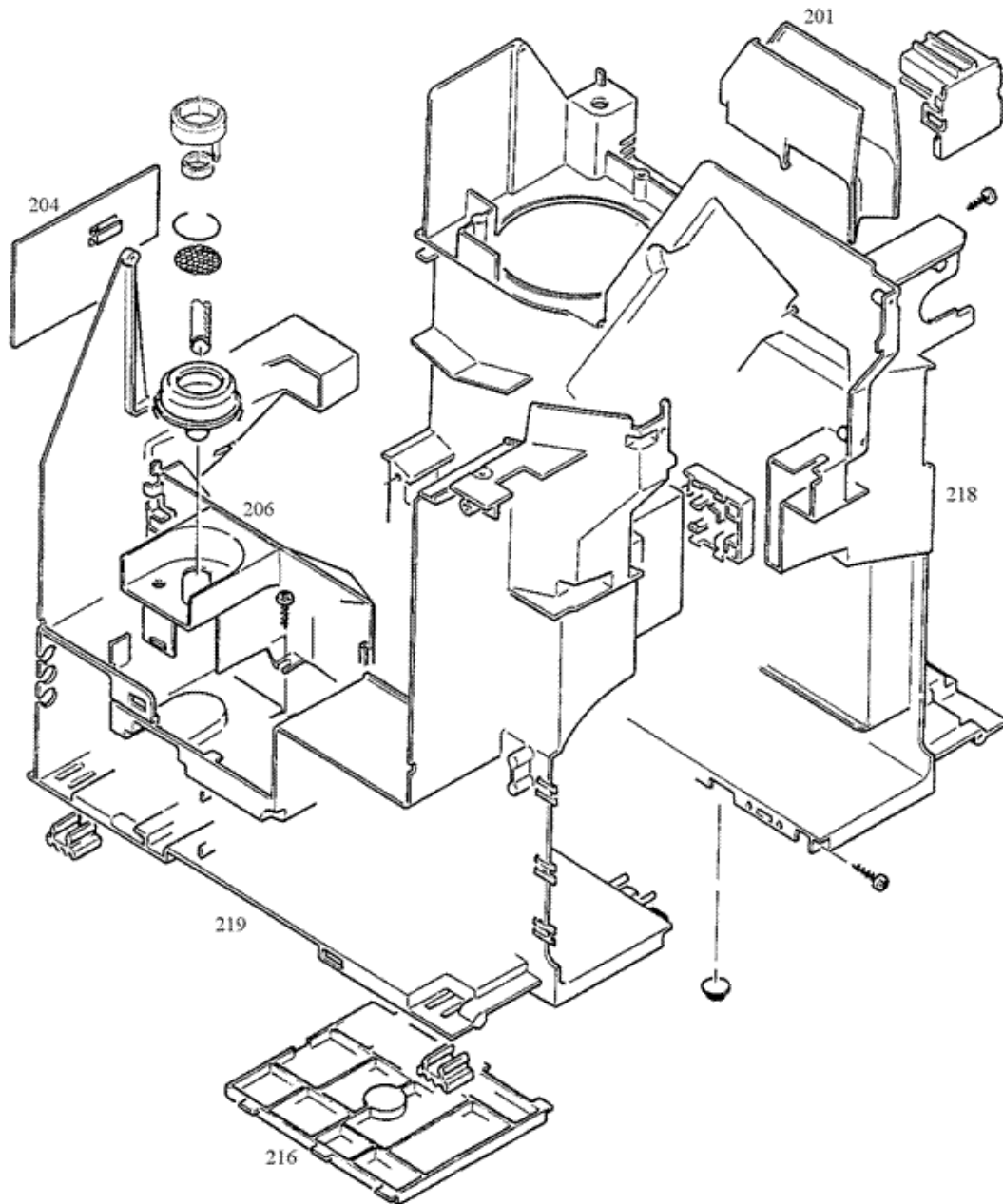
S13238_01



Pos	Designation	Material	Disassembly	Disposal	Variation	Return
0101	Back black	Plastic				
0103	Tank lid black	ABS				
0104	Cover housing black	ABS				
0105	Powder funnel lid black	Plastic				
0106	Bean container lid black	ABS				
0107	Right side section black	ABS				
0113	Watertank with bracket cpl.	Plastic				
0114	Used ground container black	ABS				
0115	Used ground pan black	ABS				
0116	cup platform inox E-line	High-grade steel			x	
0116	cup platform anodized E-line	AL			x	
0117	Drain pan black	ABS				
0119	Left side section black	ABS				
0123	Cup support alu	AL			x	
0123	Cup support inox	High-grade steel			x	
0125	Lid to preserve aroma	SAN				

(2) Case components

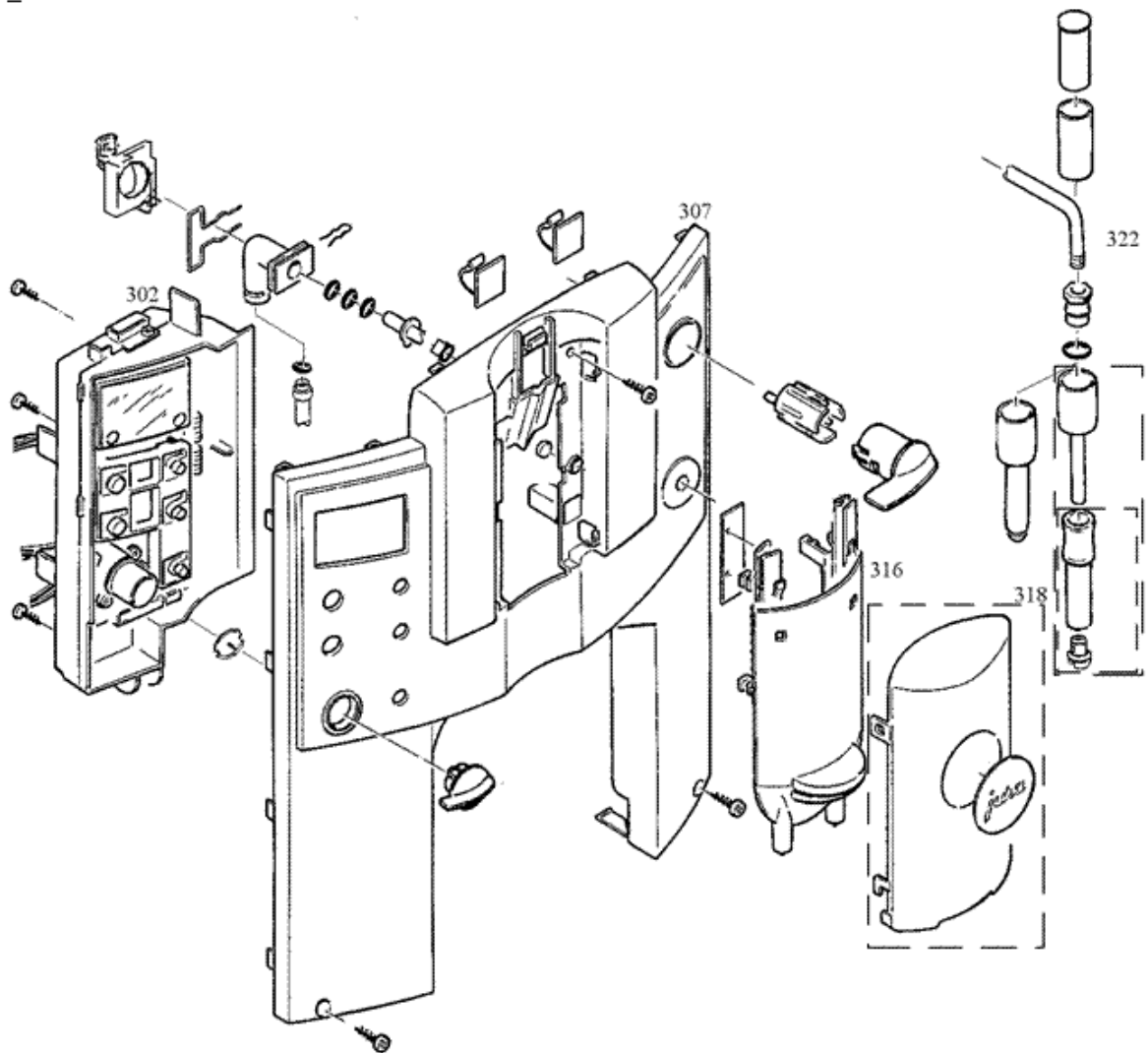
S13238_02



Pos	Designation	Material	Disassembly	Disposal	Variation	Return
0201	Input flow channel	PP				
0204	Funnel plate black	PP				
0206	Valve carrier black	ABS				
0216	Cover cable case	Plastic				
0218	Components support destra	ABS				
0219	Components support V2	ABS				

(3) Front cover

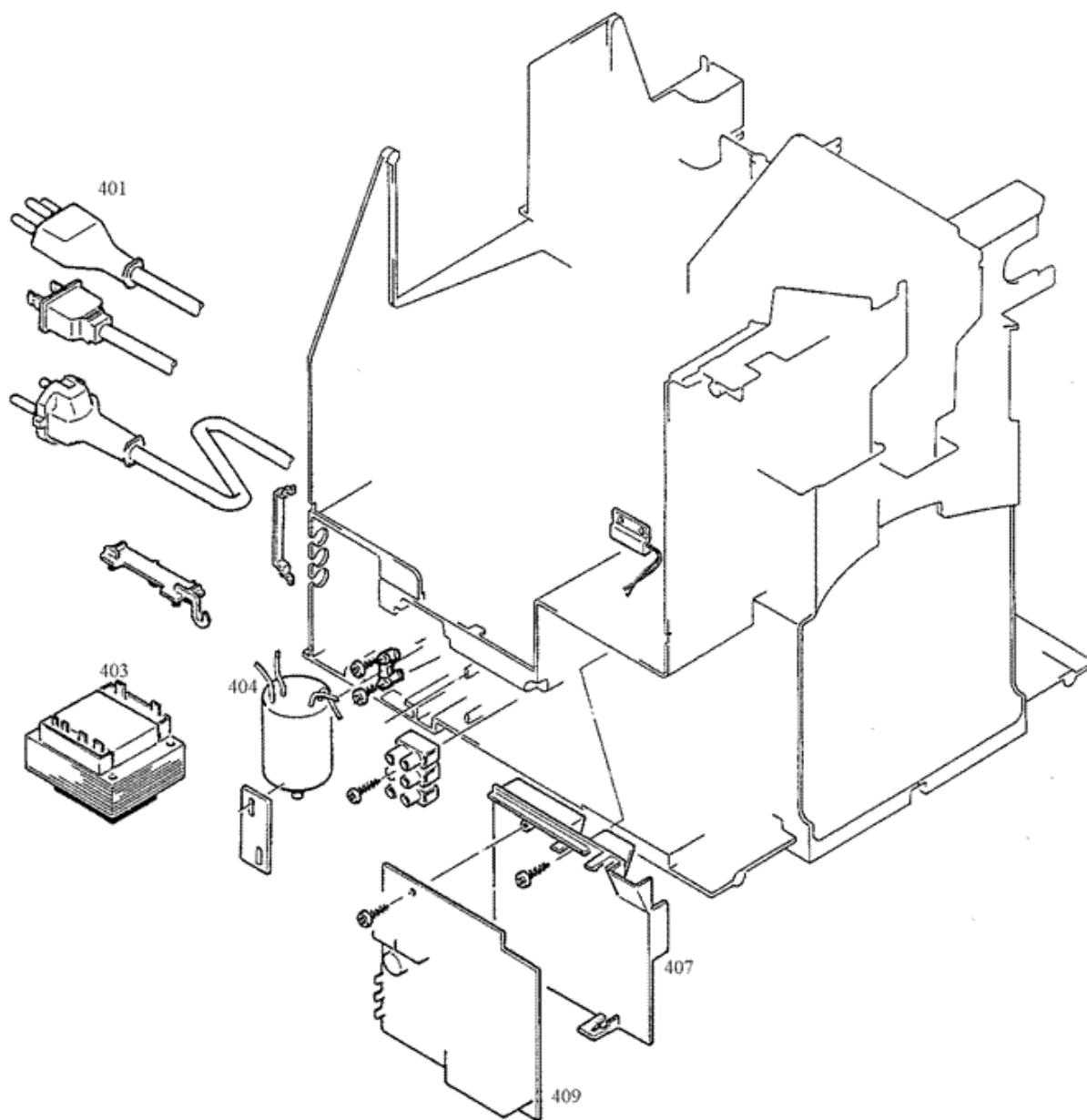
S13238_03



Pos	Designation	Material	Disassembly	Disposal	Variation	Return
0302	Electronic E25 assembled	Electronic				
0307	Front cover E10 V2	ABS			x	
0307	Front cover black V2 E20	ABS			x	
0316	Outlet gate black	ABS				
0318	Lid for outlet gate E10 ass.	ABS			x	
0318	Lid for outlet E25 assembled	ABS			x	
0322	Discharge pipe	Messing				

(4) Printed power circuit board

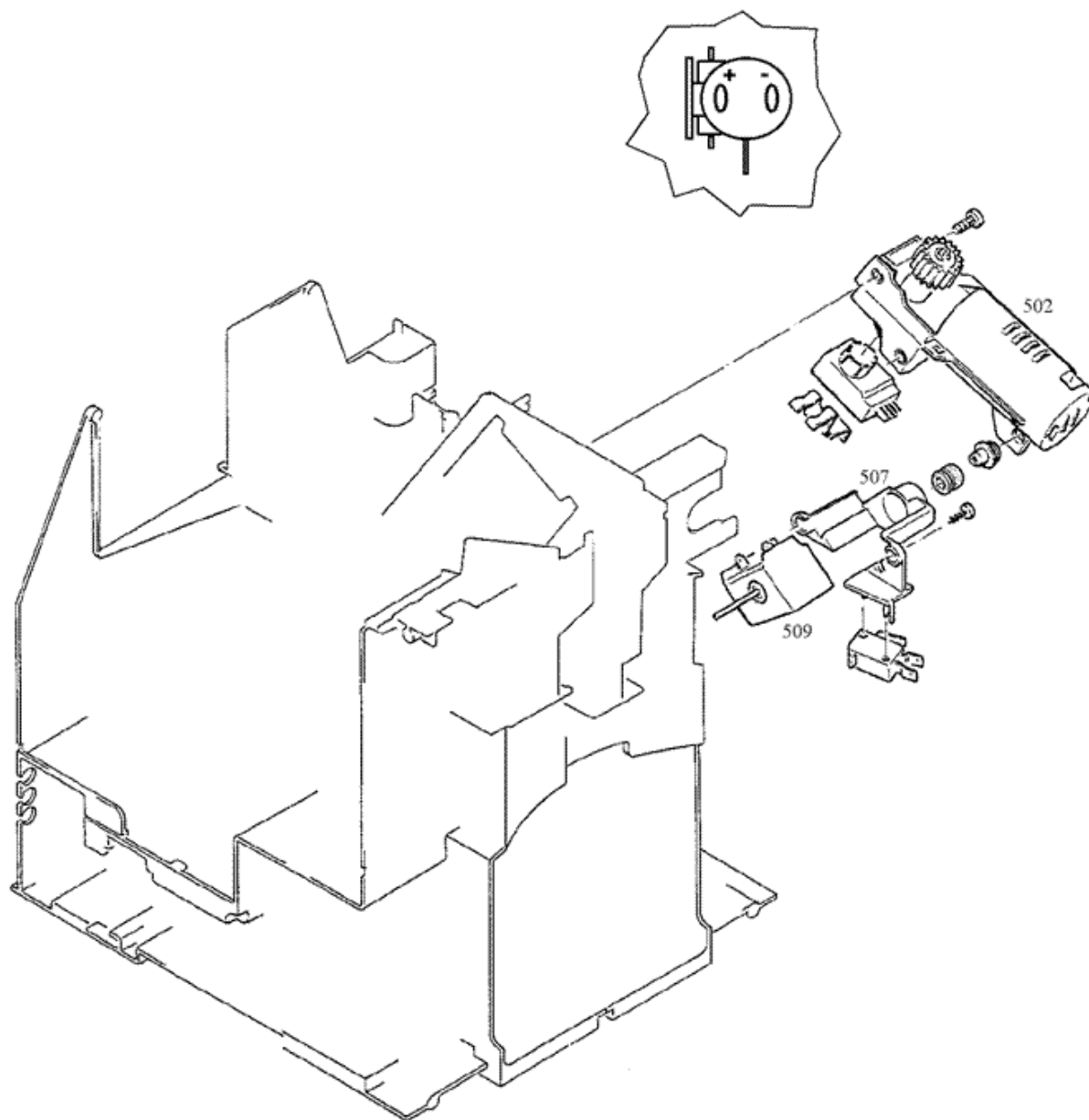
S13238_04



Pos	Designation	Material	Disassembly	Disposal	Variation	Return
0401	Incoming feeder sw RoHS	Copper / Gum				
0403	Transformer 230V	Electro				
0404	Interference eliminator	Electro				
0407	Cable housing black	Plastic				
0409	Power pcb 230V V3	Electronic				

(5) Drive

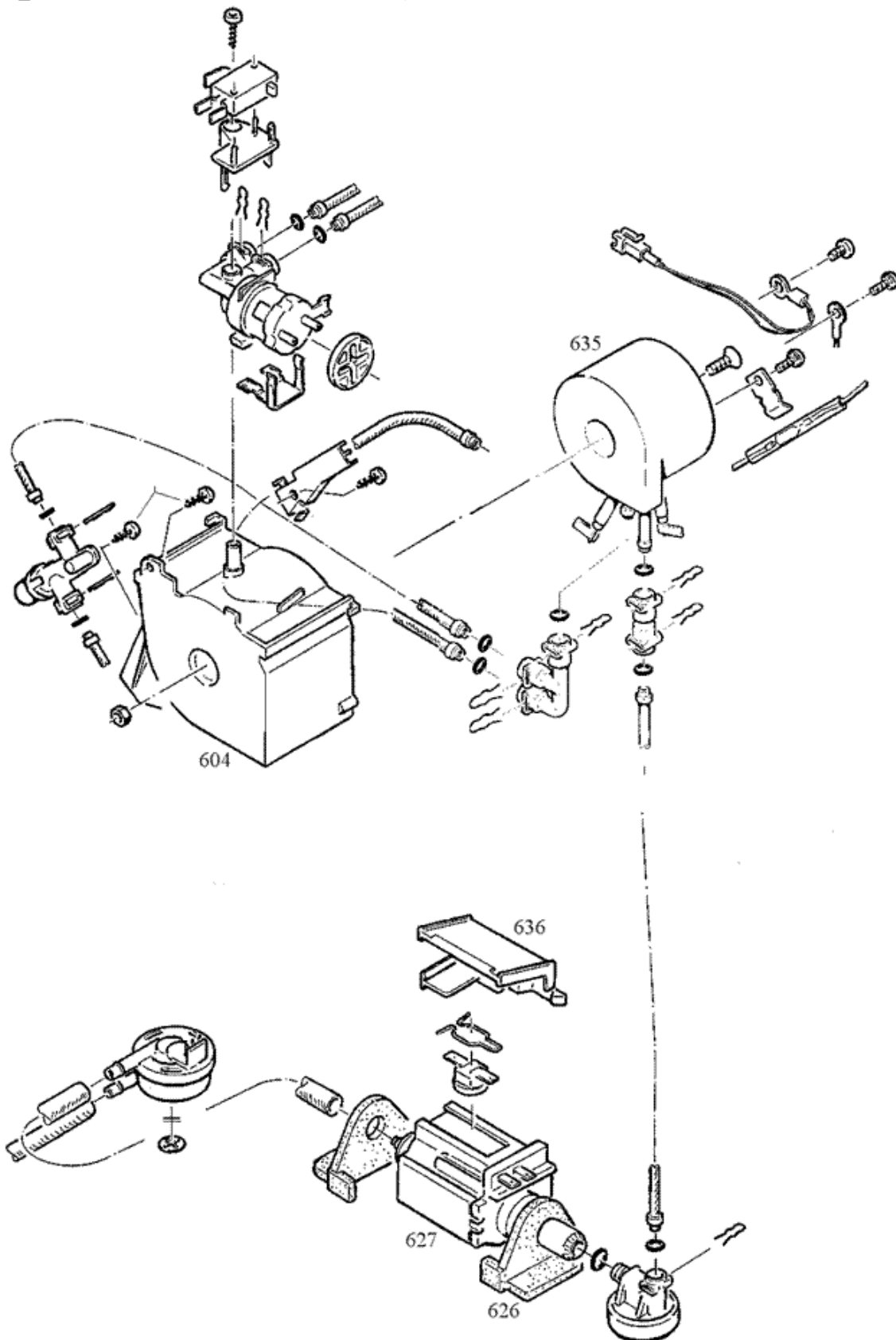
S13238_05



Pos	Designation	Material	Disassembly	Disposal	Variation	Return
0502	Geared motor E30 ass. RoHS	Electro / PPO				
0507	Drainage valve support	ABS				
0509	Magnet drainage valve IEC 230V	Copper / Steel / Plastic				

(6) Heater

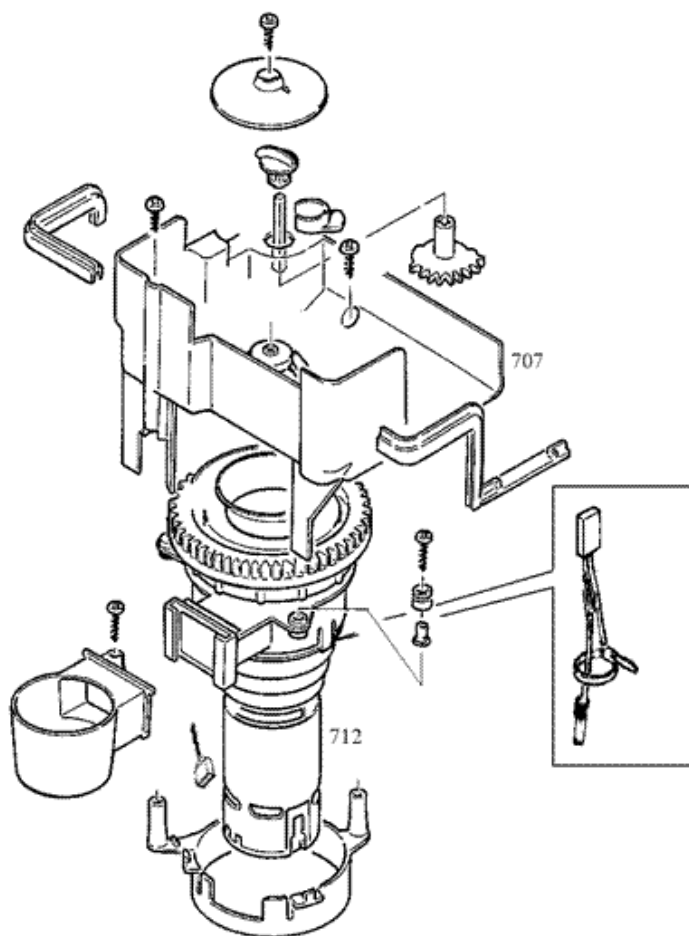
S13238_06



Pos	Designation	Material	Disassembly	Disposal	Variation	Return
0604	Heating support thermoblock	PA				
0626	Pump carrier version 2	Gum				
0627	Pump cp3a/st 230v 50hz 65w	Electro				
0635	T-Block sold. nipp. 230V/1400W	AL / High-grade steel				
0636	Cover black	ABS				

(7) Grinder

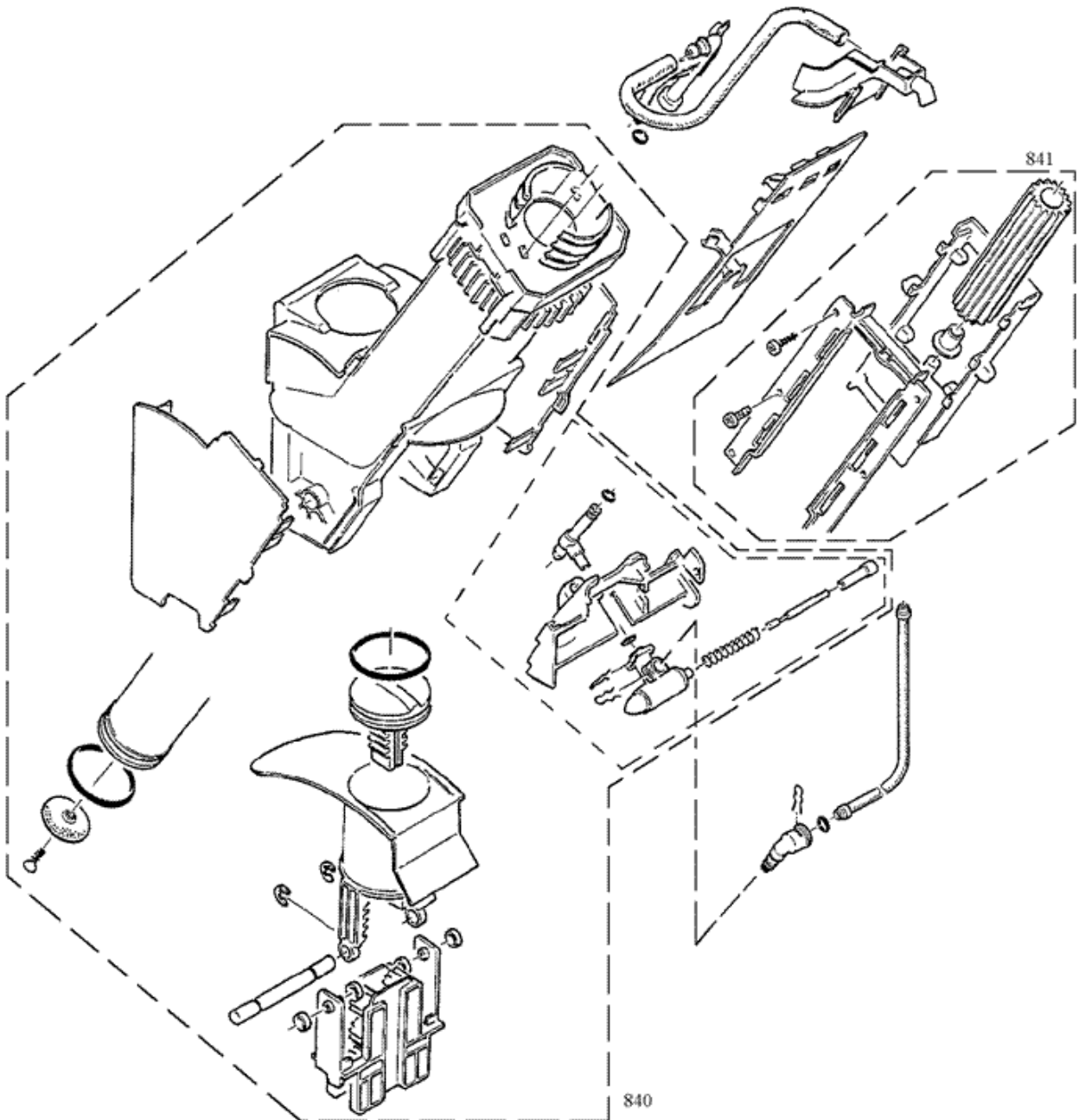
S13238_07



Pos	Designation	Material	Disassembly	Disposal	Variation	Return
0707	Bean container black printed	PP				
0712	Grinder unit 230V "choke"	Electro / POM / PA / NBR / Steel				

(8) Brew unit

S13238_08



Pos	Designation	Material	Disassembly	Disposal	Variation	Return
0840	Brew unit universal	POM / PA / Steel				
0841	Guide 114mm	AL / POM				